

If you want to turn your loft into extra living space, you will need to consult your Local Authority's Building Control Officer. Planning regulations apply to many aspects of the work.

#### Safety first

Lay planks over joists to prevent an accident. Lofts can be full of fine dust, so wear respiratory protection in the form of a half mask if you are cleaning or removing old insulation.

Distributed by:

For more information call Youngman on **08700 130360**  
email **youngmandirect@sgb.co.uk**  
**www.sgb.co.uk**

**SGB** Youngman

SGB Youngman, Holmwood  
Broadlands Business Campus  
Langhurstwood Road  
Horsham, West Sussex, RH12 4SU

SGB Youngman is a division of SGB Services Ltd

**YOUNGMAN** Loft Ladders

# Installer & Specifier's Guide

Everything you need to know to specify and install Youngman's entire range of Loft Ladders.

Including:

- Usage information
- Dimensions and clearances
- Fitting requirements
- Diagrams

Part of the

**'Get More Space in Your Place'**  
promotion with **Anna Ryder Richardson**

**SGB** Youngman



# Spacemaker 2-section loft ladder

A simple aluminium ladder that is economical and easy to fit. Ideal for occasional use.

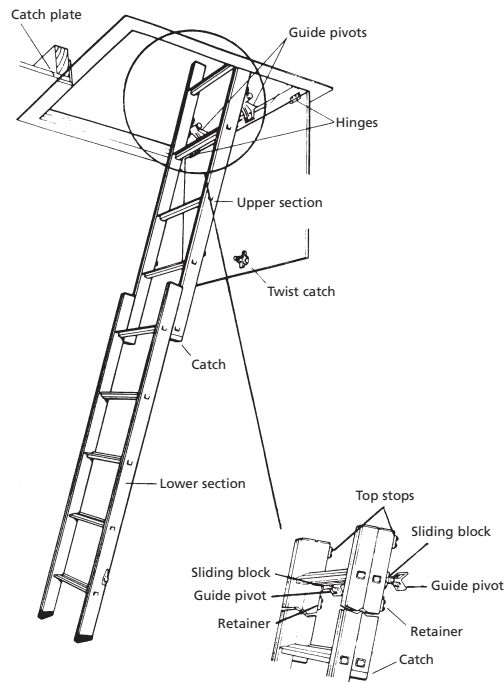


## Key Dimensions

- For floor to floor heights up to 2.6m (8'6")
- Loft opening 406mm wide x 457mm deep minimum (16" x 18")
- Tread depth 50mm (2")

## Features

- New metal safety catch prevents premature drop during sliding ladder operation
- Deep non-slip treads for maximum safety
- Maximum safe loading: 100kg
- Cost effective solution to loft access
- Rubber feet for extra stability



## Usage Guide & Fitting Requirements

### Fixing Points

Pivot bracket screwed to top lip of loft hatch.

### Hatch

Convert to down-swinging trap door (fittings supplied)

### Loft Floor

Boarding not required, provided ladder rests on a firm base when stowed.

### Height Adjustment

Adjustable sliding stops on back of ladder stiles.

# Easiway 3-section loft ladder

A higher specification ladder with hand-rail for more frequent use.



## Key Dimensions

- For floor to floor heights from 2.3m to 3.0m (9'10")
- Vertical clearance above loft hatch: 750mm (2'6")
- Horizontal clearance behind loft hatch: 1050mm (3'5")
- Loft opening 432mm wide x 508mm deep minimum (17" x 20")
- Tread depth 50mm (2")
- Tread width 275mm (11")

## Features

- New metal safety catch prevents premature drop during sliding ladder operation
- Complete with large handrail for climbing security
- Pivot arms in loft smoothly control descent/ascent
- Deep non-slip treads for greater comfort and safety
- Maximum safe loading: 100kg (221lbs)

## Usage Guide & Fitting Requirements

### Fixing Points

Pivot bracket screwed to top lip of loft hatch. Pivot arm retaining bracket screwed to loft floor behind hatch.

### Hatch

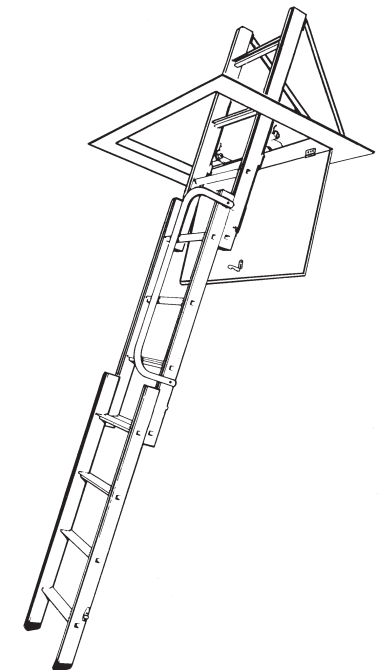
Convert to down-swinging trap door (fittings supplied)

### Loft Floor

Solid floor/base required behind hatch for securing of pivot arm.

### Height Adjustment

Adjustable sliding stops on back of ladder stiles.



# Pakaway Concertina type loft ladder

This ladder is ideal where space is limited and there is insufficient clearance behind or above the loft hatch for a conventional loft ladder.



## Key Dimensions

- For floor to ceiling heights up to 3.0m (9'10")
- Vertical loft clearance: 457mm (18")
- Loft opening 457 x 356mm minimum (18" x 14")
- Tread depth 45mm (2")

## Features

- Ideal for limited space applications
- Stores compactly above trapdoor itself – no interference with loft space
- Unfolds and retracts concertina-style
- 3 height sizes available
- Maximum safe loading: 110kg

## Usage Guide & Fitting Requirements

### Fixing Points

Screws to rear, vertical face of loft hatch. May require reinforcing if hatch depth is less than 100mm or if hatch is not edged by joist.

### Hatch

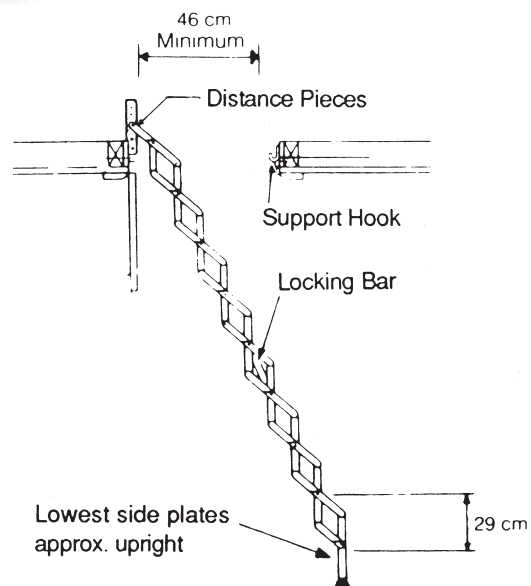
Convert to down-swinging trap door (fittings supplied)

### Loft Floor

No special requirements.

### Height Adjustment

Limited height adjustment on mounting bracket. Choose from 3 available sizes to suit floor to ceiling height.



# Eco 3-section timber folding loft ladder

Attractive timber ladder ideal for lofts with limited headroom or where a clear loft floor is needed.



## Key Dimensions

- Overall hatch casing size: 1175 x 576mm (3'9" x 1'9") (D)
- Maximum floor to ceiling height: 2.87m (9'4") (A)
- Hatch casing depth: 140mm
- Number of treads: 12

## Features

- Easy, spacious loft access
- Complete with insulated, draftproof hatch casing and trap door assembly
- Sprung descent mechanism
- High quality timber construction
- Maximum safe loading: 150kg

## Usage Guide & Fitting Requirements

### Fixing Points

Ladder comes pre-mounted with complete hatch assembly. This is screwed laterally into adjacent loft floor joists.

### Hatch

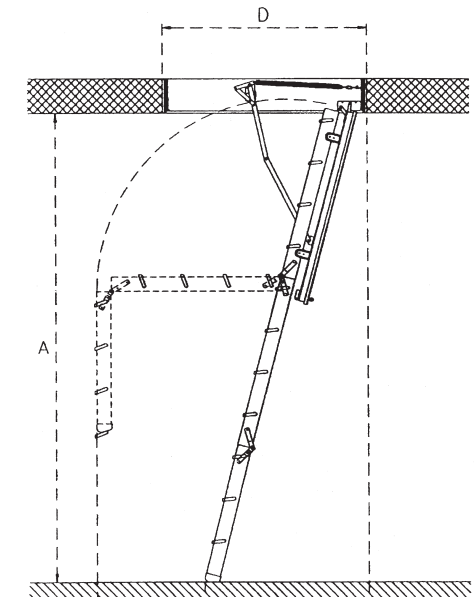
Hatch opening will require enlargement to exact dimensions of ladder casing. Joist cutting may be required.

### Loft Floor

No special requirements for ladder.

### Height Adjustment

Bottom section of ladder requires cutting to suit floor to floor height.





# Timberlux 2-section timber loft ladder

A high quality, stylish timber ladder for frequent use and where appearance is important.



## Key Dimensions

- For floor to floor heights from 2.43m to 3.0m (7'10" - 9'10")
- Arc of clearance: 1050mm
- Horizontal clearance behind loft hatch: 1550mm
- Loft opening 450mm wide x 560mm deep minimum (1'6" x 1'10")
- Maximum ladder width 400mm (1'4")
- Number of treads 12

## Features

- Stylish design with the added quality and feel of natural wood. All timber sourced from renewable and sustainable forest areas.
- Spring assisted sliding mechanism for safer and effortless operation.
- Fast and simple installation - supplied with all necessary fittings
- Fitted with handrail for added safety
- Maximum safe loading: 150kg

## Usage Guide & Fitting Requirements

### Fixing Points

Roller assembly screwed to top, rear lip of loft hatch. Pivot arm mounting screwed to loft floor behind hatch

### Hatch

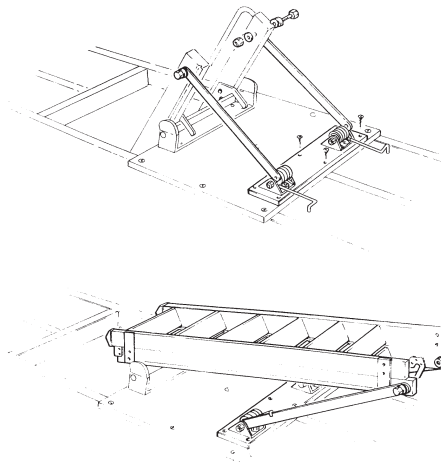
Convert to down-swinging trap door (fittings supplied)

### Loft Floor

Solid floor/base required behind hatch for securing of pivot arm

### Height Adjustment

Adjustable stop allows one or two tread overlap of ladder sections. 3 position options for top locking-brackets give fine adjustment



# Deluxe Highest quality 2-section stairway

A heavy duty, high performance aluminium ladder for daily domestic and industrial use.



## Key Dimensions

- For floor to floor heights from 2.31m to 3.25m (7'7" - 10'8")
- Vertical loft clearance: 1030mm (above spring pivot)
- Horizontal loft clearance: 1600mm (5'3") rear of ladder to edge of loft
- Loft opening 686 x 508mm minimum
- Tread depth 77mm (3")

## Features

- High quality stairway with 2 handrails
- Sprung pivot arms provide easy sliding operation
- Nylon slides for quiet, smooth operation
- One size fits wide range of floor to floor heights
- Deep flat non-slip treads angled for comfort
- Maximum safe loading: 150kg
- The ultimate in luxury loft ladders

## Usage Guide & Fitting Requirements

### Fixing Points

Mounting brackets screwed to top lip of hatch opening and to inside of trap door. Double pivot arm mounting screwed to loft floor behind hatch.

### Hatch

Convert to down-swinging trap door (fittings supplied). Reinforcing may be required where ladder is attached to door.

### Loft Floor

Solid floor/base required behind hatch for securing of pivot arm.

### Height Adjustment

Variable position steel stops attached to sides of ladder stiles plus sliding adjustable stops on back of stiles.

