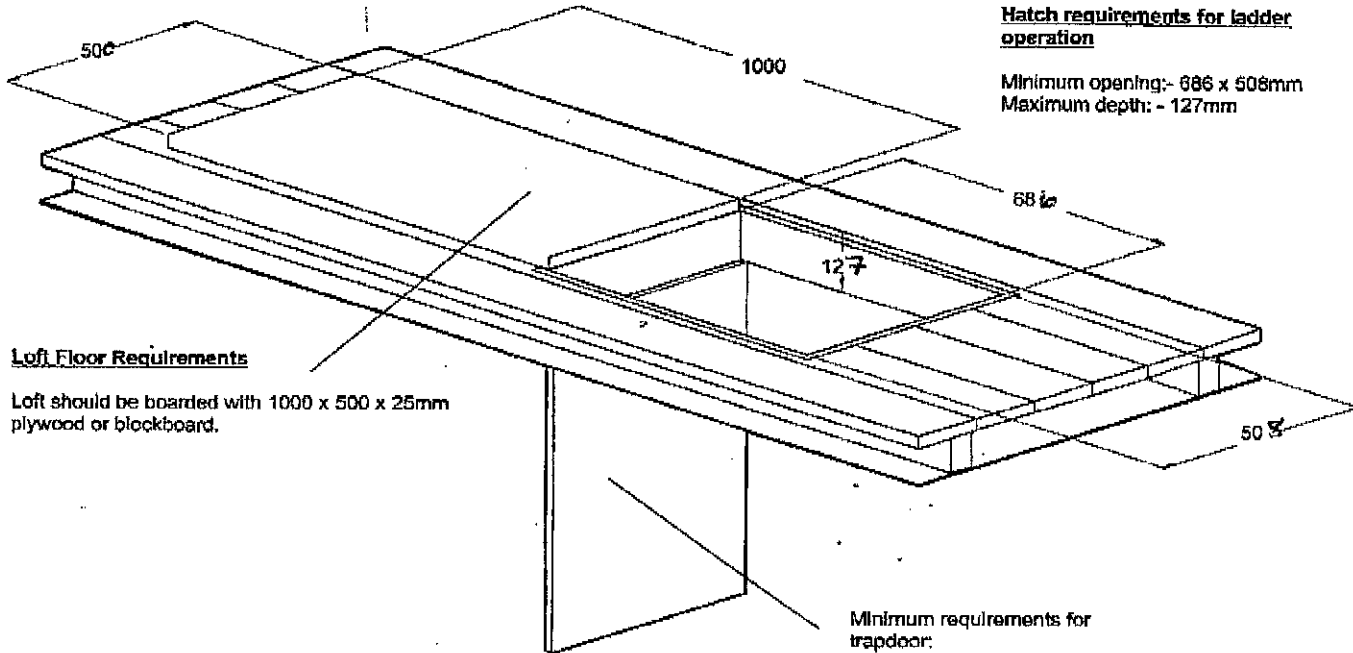
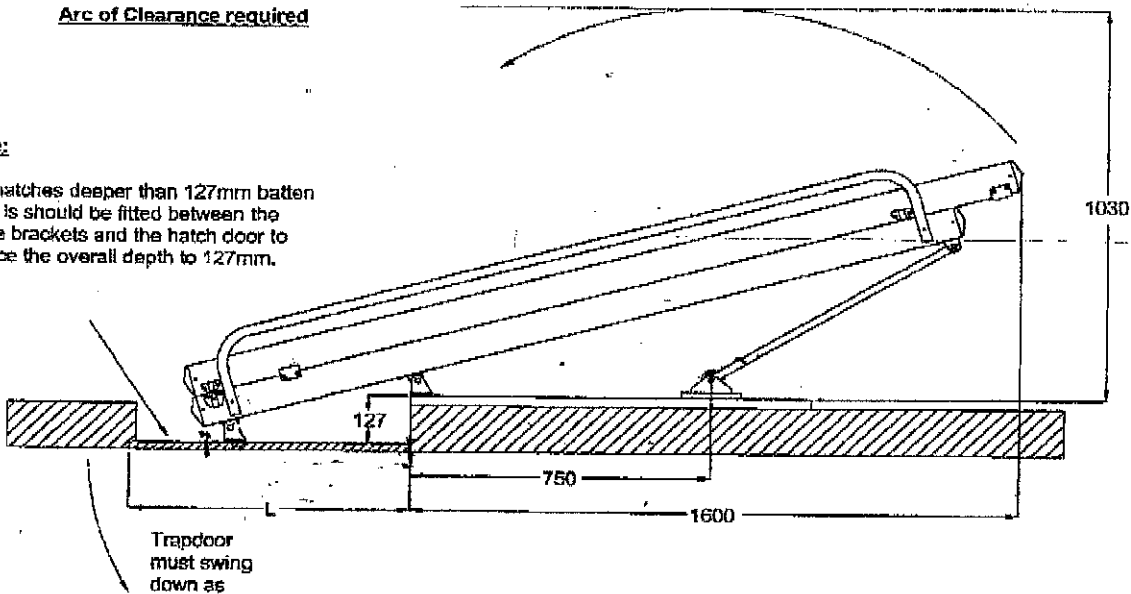


Deluxe Stairway Loft Ladder



Arc of Clearance required



Note:

Heavy trapdoors will cause the hatch to remain open.

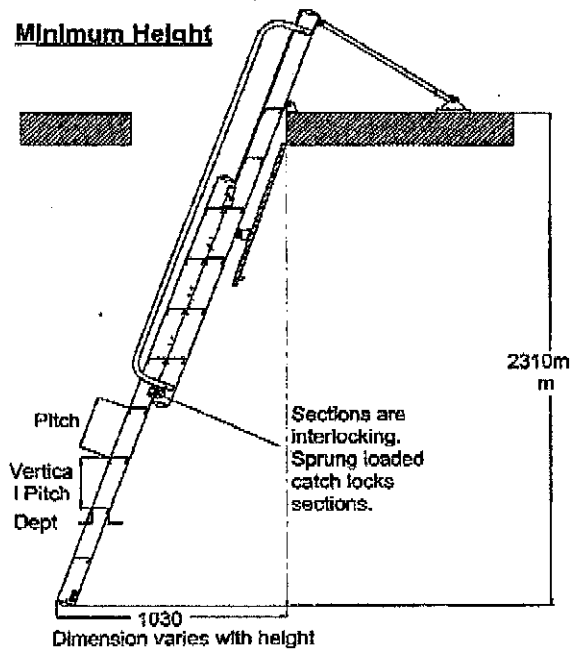
An approximate rule for finding maximum door weight in kg for given length is :

$$\text{Max. Weight (kg)} = 4220/L \text{ when L is in mm.}$$

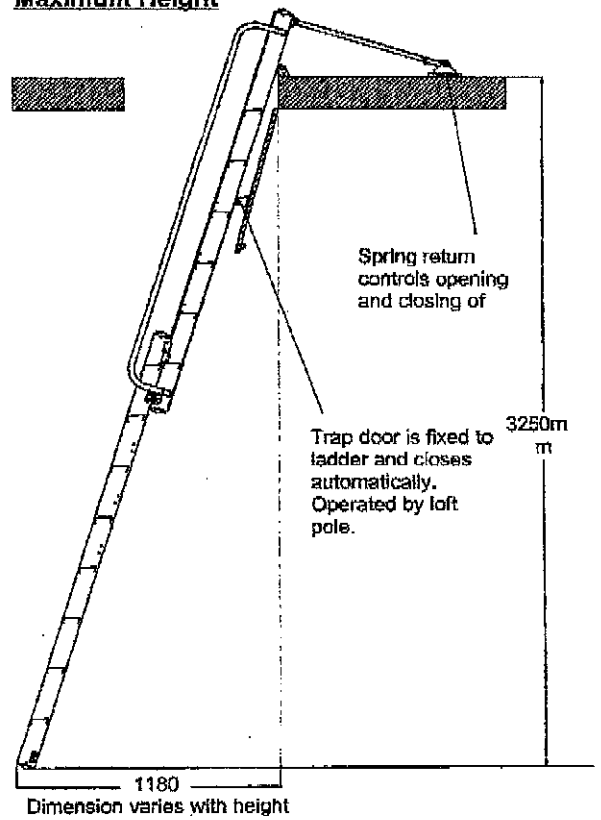
Deluxe Stairway Loft Ladder

Floor to Floor Heights

Minimum Height

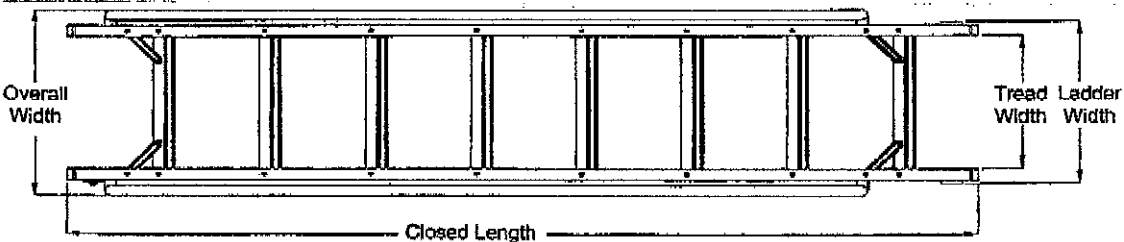


Maximum Height



| | Floor to Floor Height |
|-----------|----------------------------------|
| Setting 1 | 2310mm (7'7") to 2545mm (8'4") |
| Setting 2 | 2545mm (8'4") to 2780mm (9'2") |
| Setting 3 | 2780mm (9'2") to 3015mm (9'11") |
| Setting 4 | 3015mm (9'11") to 3250mm (10'8") |

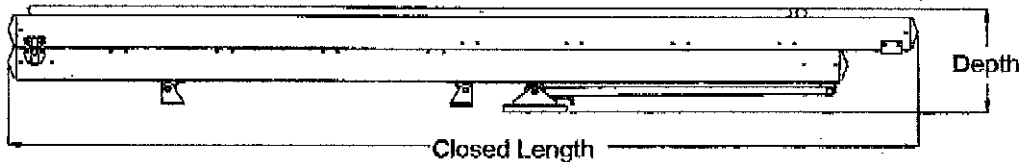
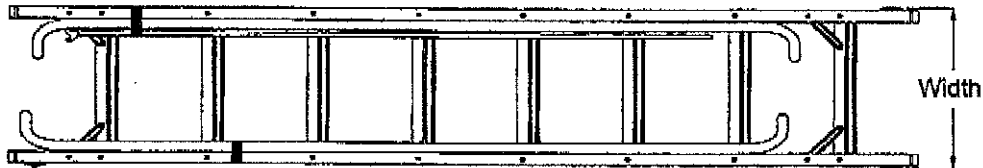
Product Dimensions



| Treads | Lower Section | Upper Section | Width (mm) | Depth (mm) | Pitch (mm) | Vertical Pitch (mm) |
|----------------------|--------------------|-------------------|--------------------|-----------------------|------------|---------------------|
| | 8 | 6 | 330 | 74 | 250 | 235 |
| Assembled Dimensions | Closed Length (mm) | Ladder Width (mm) | Overall Width (mm) | Nominal Working Angle | | |
| | 2160 | 402 | 466 | 70° | | |

Deluxe Stairway Loft Ladder

Packed Dimensions



| Packaged Dimensions | Closed Length (mm) | Width (mm) | Depth (mm) | Volume (m ³) | Weight (kg) |
|---------------------|--------------------|------------|------------|--------------------------|-------------|
| | 2160 | 405 | 265 | 0.232 | 18.4 |

Technical Information

Materials: Stiles and Treads - Extruded Aluminium Alloy
 Handrails - Aluminium Alloy Tube
 Operating Pole - Aluminium Alloy Tube fitted with aluminium cast hook.
 Other fittings - Steel and plastic

Duty Rating: 150 kg (23.6 stones)

Classification: Kitemarked to BS 7553 Class H (Heavy Duty) - 'For relatively high frequency and onerous conditions of use and storage.'